



Daniel Kelly 0848735

**CPR/AED Delivery in
the Home**

Strategic Focus



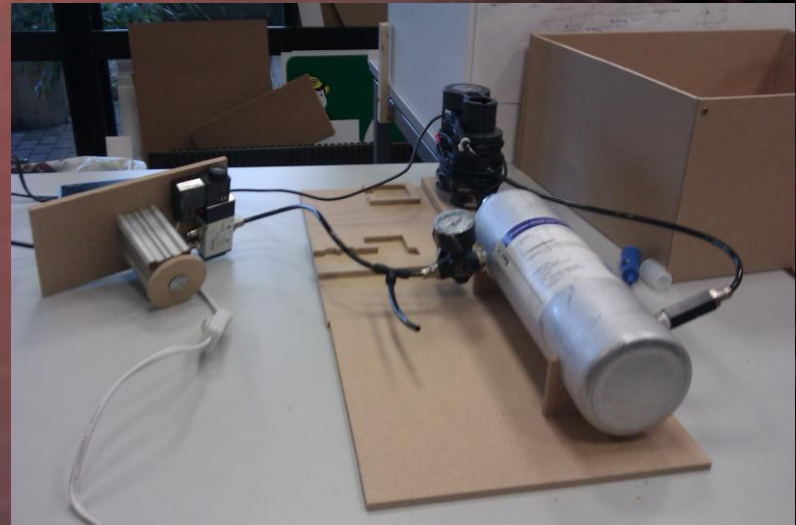
How to make CPR/AED easy for anyone in a Domestic Setting, Even is they DON'T KNOW how to perform the procedures.

Chain of Survival



1. **Early Access:** Calling 999 to activate emergency medical services (EMS).
2. **Early CPR:** Buys time until defibrillator and EMS are available.
3. **Early Defibrillation:** Shock to heart can restore heartbeat.
4. **Early Advanced Care:** Paramedics provide advanced cardiac life support to casualties of sudden cardiac arrest. This includes providing IV fluids, medication and advanced airway devices.

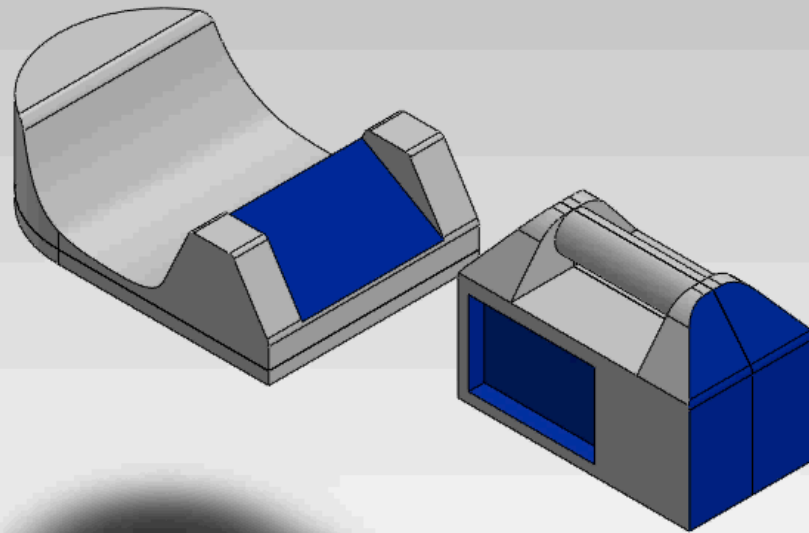
Prototype



Pneumatic System



Prototype Fit



Respiration



Trouble with making the chest rise

Airway and Lip Seal



Rescue Breaths



Compressions



AED Placement





Opening the cabinet will trigger a message.
 "If this is now an emergency press the cancel button. If cancel Button is not pressed Emergency Medical Services will be called and sent to your address".



Turning on the device will trigger the instructional messages.
 "Remove all clothing from top half of patient", (Pictures displayed will still have clothing on.)
 "Place Headrest under the Patient's Head, make sure airway is open".



"Place breathing mask on patient, lightly pinch at the nose and pull on straps to tighten".



"Place compression device on the chest with the compression piston lying on the middle of the chest between the nipples".



"Pull AED pads from the wall of the compression device and put down onto bare skin of the chest".



"Press CPR button to start machine, and hold compression system firmly during compressions".



When the casualty needs to be shocked the device will warn you.
 "Stand back and keep clear while Patient is being shocked".

